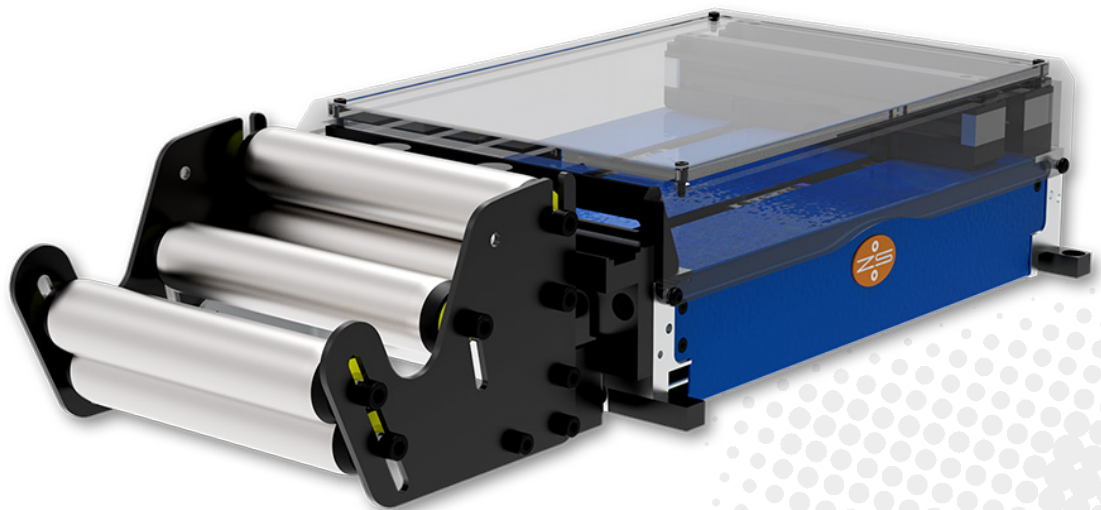




ELECTRICAL DOUBLE GRIPPER FEED **EZ MT**

Models: EZ MT-D 160 | EZ MT-D 240



ACCURATE

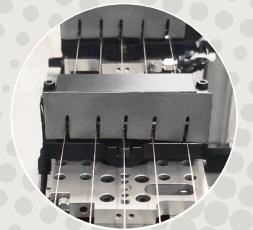
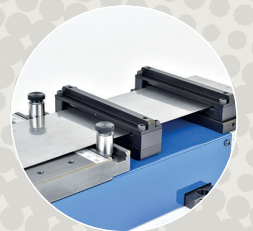
- Precision mechanics and high-tech materials for highest accuracy
- **Double** precision linear motor

VERSATILE INSTALLATION

- Compact horizontal design with minimal installation height
- Available in 3 unit lengths: Compact (C), Double (D), Extended (E)
- Separate cable connector box
- Variable infeeds: basket with double rolls, inlet plate, wire inlet

VERSATILE USE

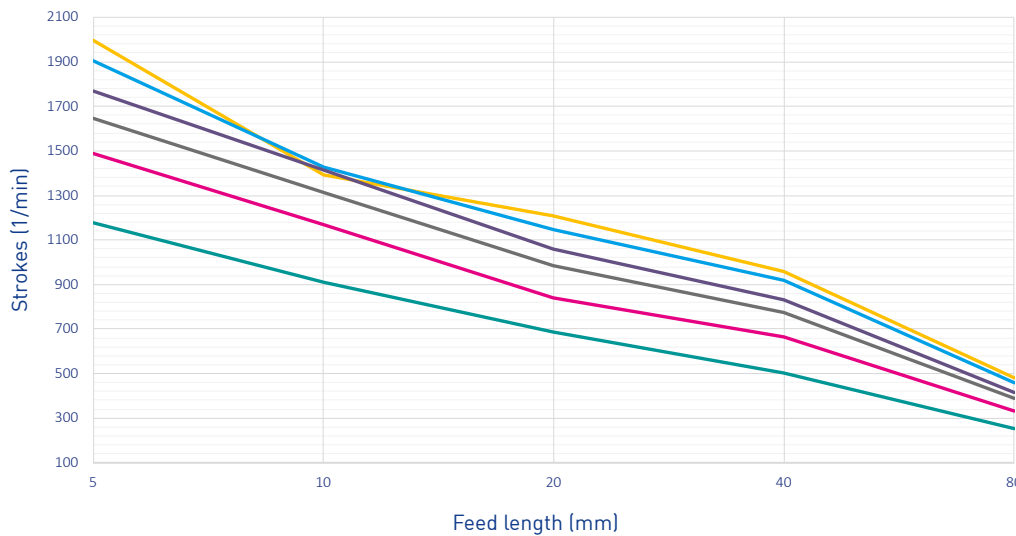
- Prepared for additional clamps, better wire guiding, considerable clamping force
- Various tailor made clamping, gripping and guiding options
- Good visibility into gripper chamber for easy threading
- Threading help button (material insertion without operating the control)
- Adaptable roll basket to fit material properties



ELECTRICAL DOUBLE GRIPPER FEED EZ MT



PERFORMANCE



Performance curves (examples)*

Loop weight / Number of moving clamps

0 kg / 2 clamps

0.5 kg / 2 clamps

2 kg / 2 clamps

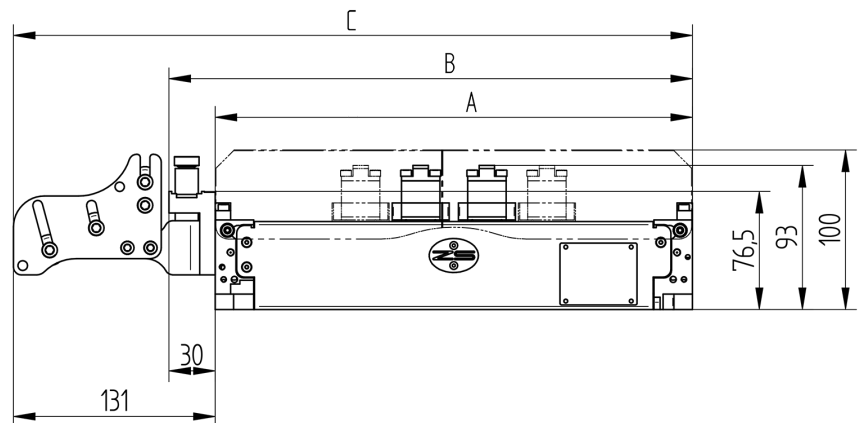
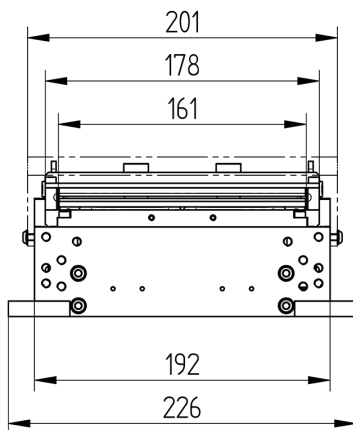
0.5 kg / 4 clamps

2 kg / 4 clamps

10 kg / 4 clamps

*Calculation basis: EZ MT-D 160
Optimum opening angle

TECHNICAL SPECIFICATIONS



MODEL	EZ MT-D 160	EZ MT-D 240
Bandwidth max. (mm)	160	240
Feed length max. (mm)	2x 70 / 140	
A:Length basic unit (mm)	310	310
B:Length with inlet plate (mm)	340	340
C:Device width (mm)	177	257
Clamp opening	ca. 1 mm	
Accuracy	+/- 0,01 mm	
Nominal traction force (N)	220	
Peak traction force, approx. (N)	450	
Clamping force at 6 bar (mov. gripper)	[2] 540 N / [4] 900 N	[2] 1080 N / [4] 1800 N
Cross section (recommended)	max. 200 mm ²	

SWITZERLAND

Zehnder & Sommer AG
CH-3400 Burgdorf
info@zehndersommer.com
Tel +41 31 800 00 00

GERMANY

Zehnder & Sommer GmbH
DE-58452 Witten
info@zehndersommer.de
Tel +49 2302 981 60 30

zehndersommer.com
ZSswiss.com