

Mini Roll Feed

COMPACT EVM SE

Models: EVM 020 SE | EVM 040 SE



PRECISE FEEDING

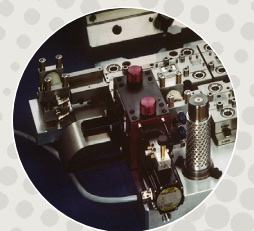
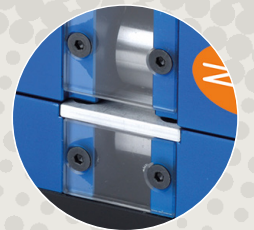
- Servo motor with high position resolution
- Approved and reliable precision mechanic
- Direct drive of lower roll

SPACE-SAVING INTEGRATION

- Very compact dimensions (installation also in toolings)
- Suitable for installation in automations with narrow space conditions
- Easy to install, quick to replace

VERSATILE USE

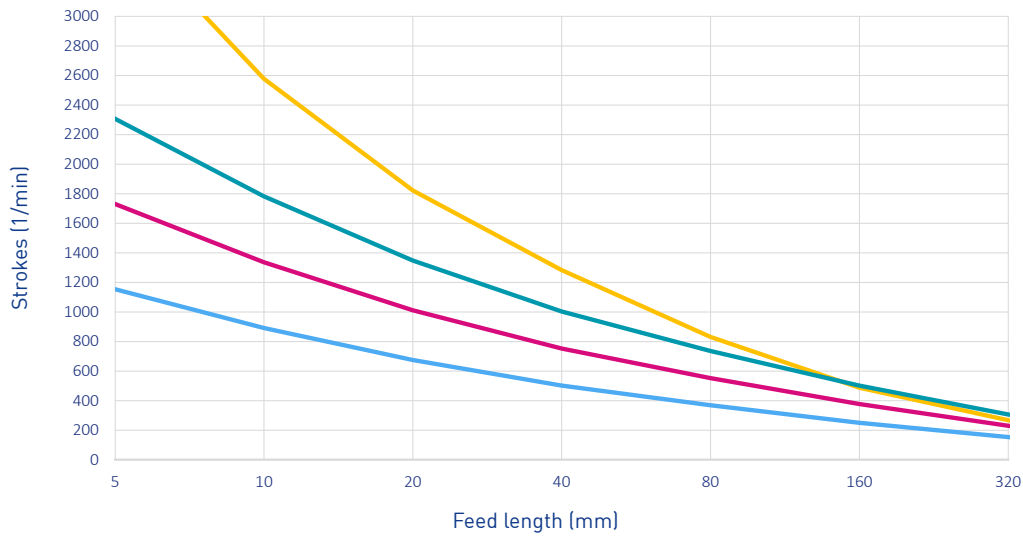
- Powerful and versatile controls; double systems; push/pull
- Different levels of security: STO or safe limited speed (SLS)
- Pull-out inlet plate for practical maintenance and roll cleaning
- Optional IC-terminal box with threading aid



ROLL FEED COMPACT EVM SE



PERFORMANCE

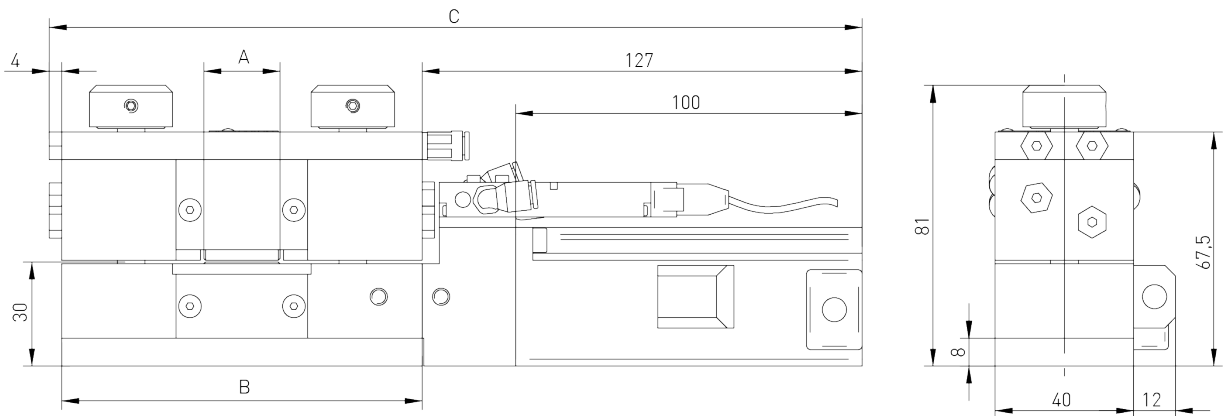


Performance curves (examples)*

Loop weight	Feed angle	Cooling
0 kg	180°	AC
0.5 kg	120°	AC
0.5 kg	180°	AC
0.5 kg	240°	AC

*Calculation basis: EVM 020 SE

TECHNICAL SPECIFICATIONS



MODEL	EVM SE	020	040
Opening width A (mm)		20	40
Support width B (mm)		104	124
Overall width C (mm)		231	251
Roll opening		2.5 mm	
Roll diameter		20 mm	
Accuracy		+/- 0.03 mm	
Speed max.*		180 m/min	
Traction max.*		15 N	
Cross section (recommended)		max. 10 mm ²	

SWITZERLAND

Zehnder & Sommer AG
 CH-3400 Burgdorf
 info@zehndersommer.com
 Tel +41 31 800 00 00

GERMANY

Zehnder & Sommer GmbH
 DE-58452 Witten
 info@zehndersommer.de
 Tel +49 2302 981 60 30

zehndersommer.com
 ZSswiss.com

*Depending on motor, control and supply.
 Ask for a specific configuration and calculation.