

GRAND FEED FOR FOILS EVF

Material cross section max. 500 mm²



SENSITIVE

- Special design for sensitive foils (plastic, aluminum, sheet metal, fabric, etc.)
- Individually adjustable precision band guide on both sides
- Standard rolls with hard core and resistant plastic-polymer coating

PRECISE

- Transmission-free direct drive of the lower roll for higher position accuracy
- Synchronous drive of both rolls via torsion-free power coupling
- Precision mechanics and power control for highest accuracy

VERSATILE AND SAFE

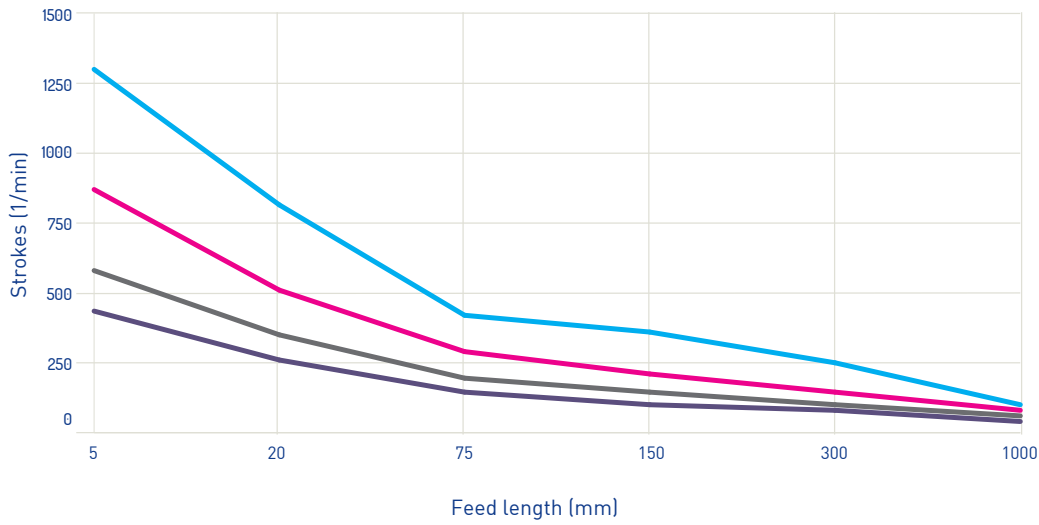
- Powerful and versatile control
- Integrate, retrofit or synchronize with any press
- Meets the highest safety standards including safety speed



GRAND FEED FOR FOILS EVF



PERFORMANCE

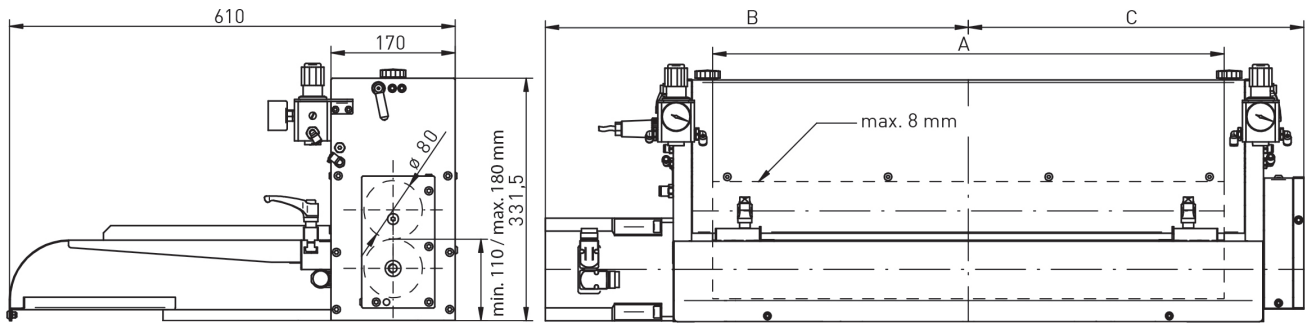


FEED ANGLE

- 240°
- 180°
- 120°
- 90°

Performance curve exemplary. Specific calculations on request.

TECHNICAL SPECIFICATIONS



MODEL	EVF	520	720	1020
Roll width A (mm)		500	700	1000
Dimension B (mm)		479	579	729
Dimension C (mm)		359	459	609
Feed unit width B+C (mm)		838	1038	1338
Band thickness		max. 8 mm		
Roll diameter		80 mm		
Accuracy		+/- 0.03 mm		
Speed max.*		150 m/min		
Traction force max.*		350 N		

SWITZERLAND

Zehnder & Sommer AG
 CH-3400 Burgdorf
 info@zehndersommer.com
 Tel +41 31 800 00 00

GERMANY

Zehnder & Sommer GmbH
 DE-58452 Witten
 info@zehndersommer.de
 Tel +49 2302 981 60 30

zehndersommer.com
 ZSswiss.com

*Depending on motor, control and supply.
 Ask for a specific configuration and calculation.